



coffeeing the World

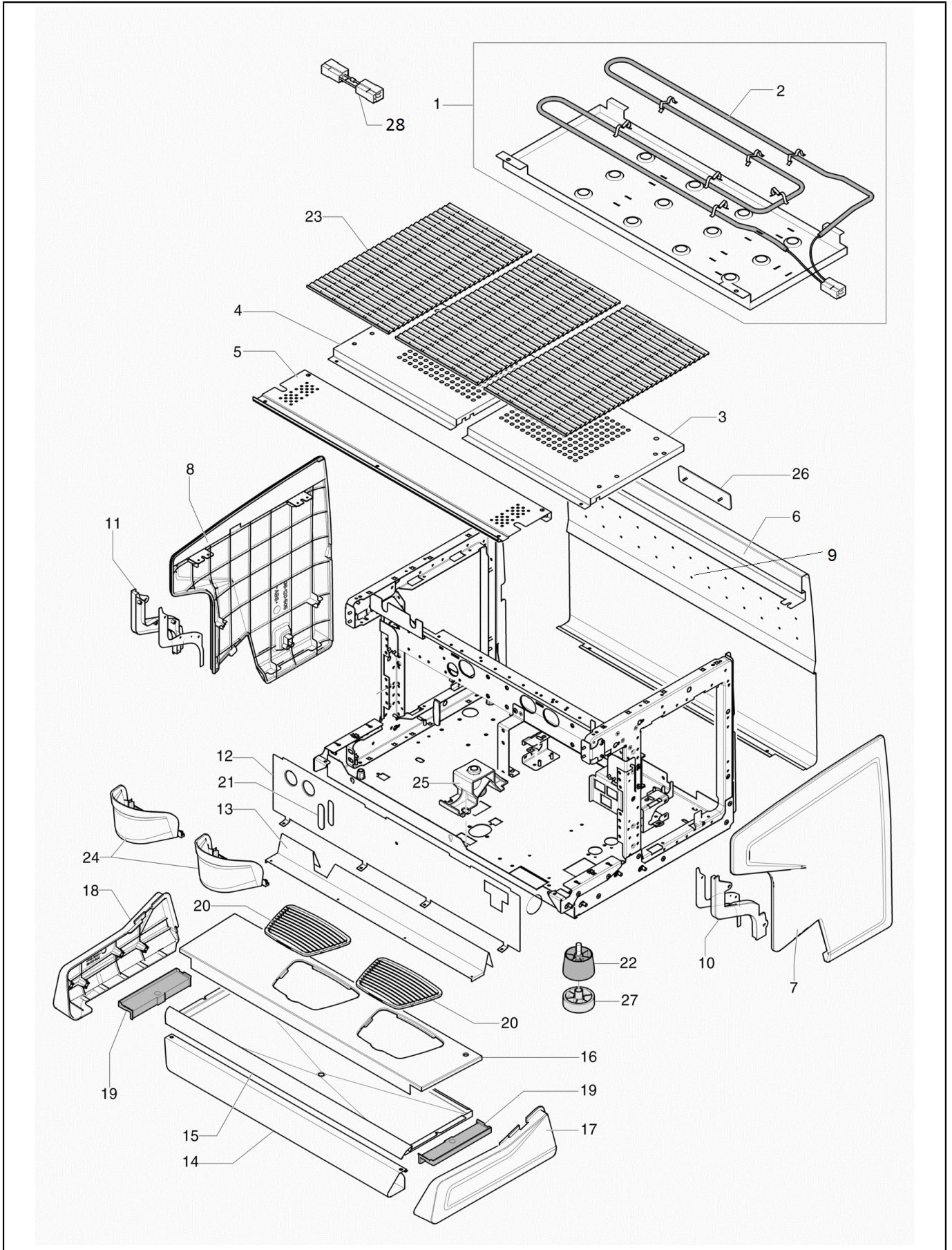
CLASSE 9 USB



CLASSE 9

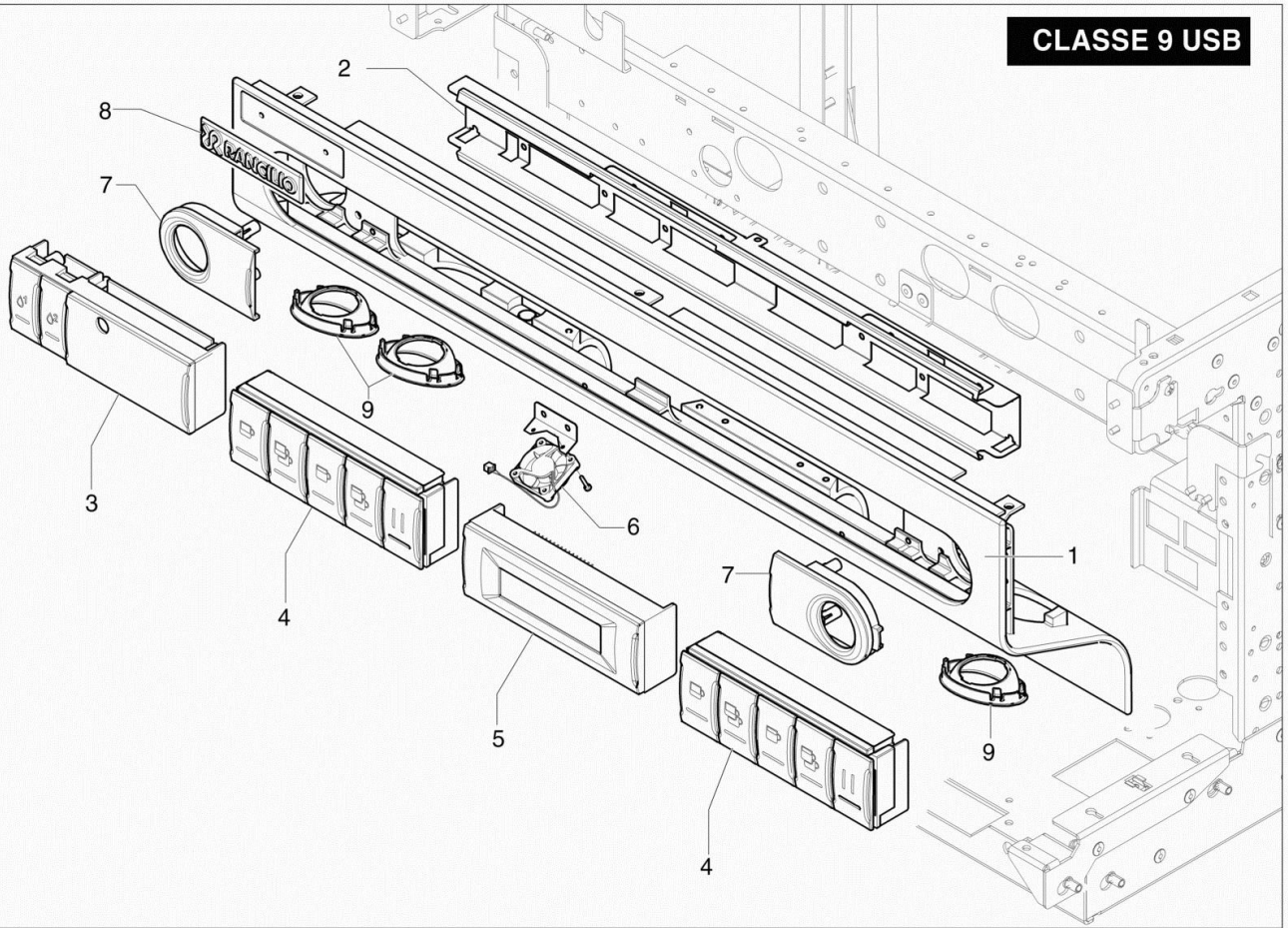
Index

Table 1000 - Body.....	4
Table 1001 - CONTROL PANEL USB.....	6
Table 1003 - HOUSING TALL.....	8
Table 2000 - HYDRAULIC CIRCUIT USB.....	10
Table 2013 - HYDRAULIC MODULE USB/XCELSIUS.....	12
Table 2003 - HEATING ELEMENT/CHECK EXP. VALVE.....	14
Table 2004 - BREWING GROUP 24V.....	16
Table 2007 - Water spout	18
Table 2008 - Clever Steam Tap	20
Table 2010 - LEVEL INDICATOR.....	22
Table 3000 - ELECTRIC/ELECTRONIC PARTS USB.....	24
Table 3003 - Motor and pump unit.....	26
Table 4000 - ISTEAM CLASSE 9.....	28
Alphanumeric index.....	30

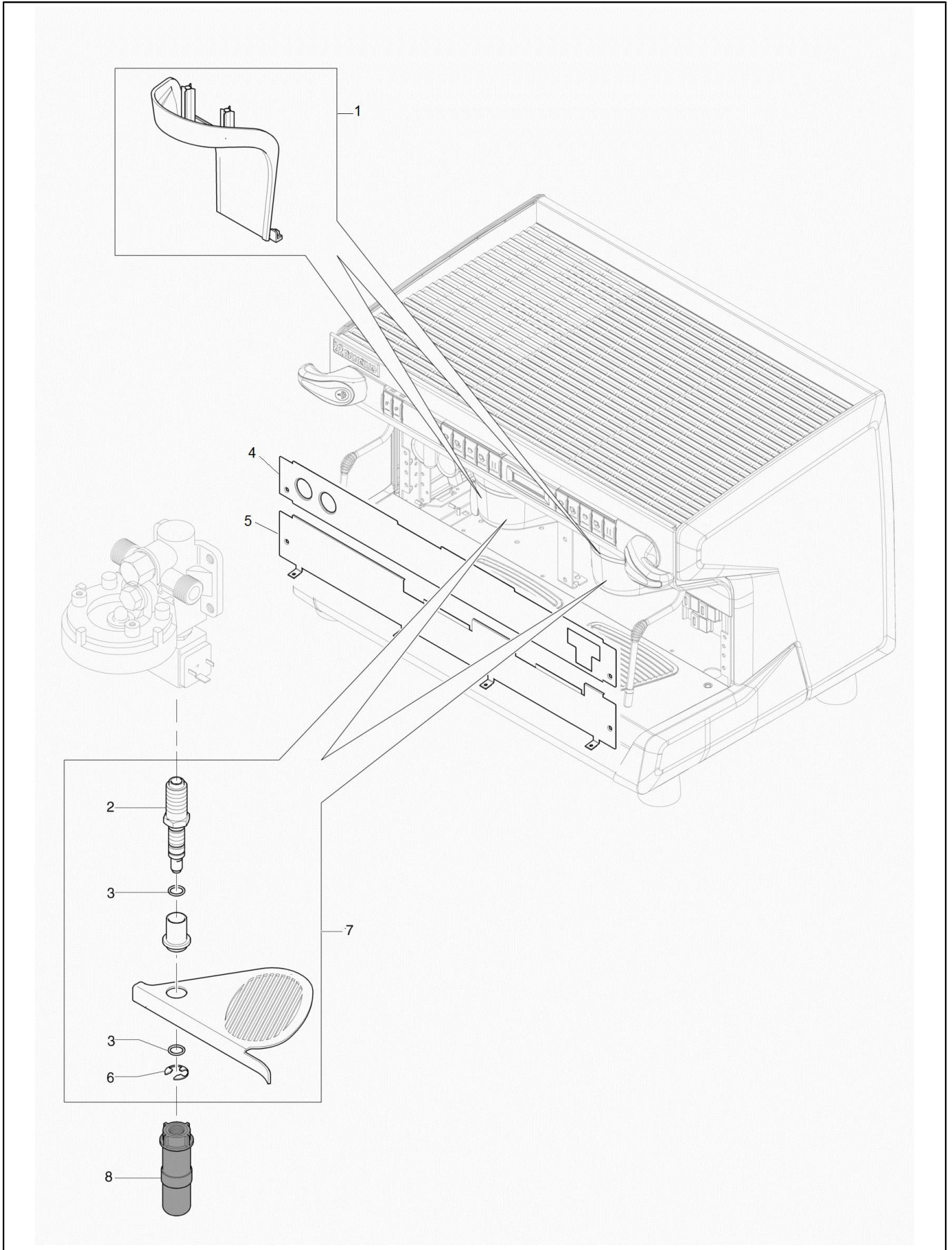


POS.	CODE	DESCRIPTION	NOTES
1	10700276	KIT CUPWARMER 2GR + SCREWS SET	
	10700277	KIT CUPWARMER 3GR + SCREWS SET	
	10700278	KIT CUPWARMER 4GR + SCREWS SET	
2	33122002	CUP-WARMER RESISTANCEANCE 230V 2GR	
	33122003	CUP-WARMER RESISTANCEANCE 230V 3GR	
	33122004	CUP-WARMER RESISTANCEANCE 230V 4GR	
3	32330971	HEATING CUP GRATE DX	
	32330973	HEATING CUP GRATE	grate 3/4gr
4	32330972	HEATING CUP GRATE SX	
5	32331726	UPPER GROUP BAND 2GR	
	32331727	UPPER GROUP BAND 3GR	
	32331728	UPPER GROUP BAND 4GR	
6	32331730	REAR PANEL 2GR CLASSE 9	
	32331731	REAR PANEL 3GR CLASSE 9	
	32331732	REAR PANEL 4GR CLASSE 9	
7	10905015	RIGHT SIDE PANEL C9	
8	10905016	LEFT SIDE PANEL C9	
10	10705681	LED BAR RIGHT	
11	10705682	LED BAR LEFT	
12	32331714	FRONT PANEL 2GR	
	32331715	FRONT PANEL 3GR	
	32331716	FRONT PANEL 4GR.	
13	32331710	PROTECTION DRAIN TRAY	
	32331711	PROTECTION DRAYN TRAY 3GR	
	32331712	PROTECTION DRAYN TRAY 4GR	
14	32331702	LOWER DRAIN TRAY BAND 2GR	
	32331703	LOWER DRAIN TRAY BAND 3GR	
	32331704	LOWER DRAIN TRAY BAND 4GR	
15	32331706	DRAIN TRAY 2GR	
	32331707	DRAIN TRAY 3GR	
	32331708	DRAIN TRAY 4GR	
16	32331736	CUP TRAY 2GR C9	
	32331737	CUP TRAY 3GR C9	
	32331738	CUP TRAY 4GR C9	
17	38120501	RIGHT BASIN SIDE	
18	38120502	LEFT BASIN SIDE	
19	38120503	LATERAL GRATE SUPPORT C9	
20	38123666	CUP TRAY MC/07	
21	38123856	LEVEL WATCH GLASS	
22	38123568	COFFEE MACHINE LEG	
23	38123921	HEATING CUPS GRATE	
24	38120541	GROUP COVER CLASSE 9 ASSY.	
25	38120511	DRAIN TRAIN CANALIZER	
26	42200123	RANCILIO PLATE MM.145	
27	38123852	RISER FOR COFFEE MACHINE LEG	
28	10110427	WIRING FOR CUPWARMER REDUCER	
29	37154212	SCREW 4,2X13	
30	37030509	SCREW M5 X 10 TCB PH INOX	

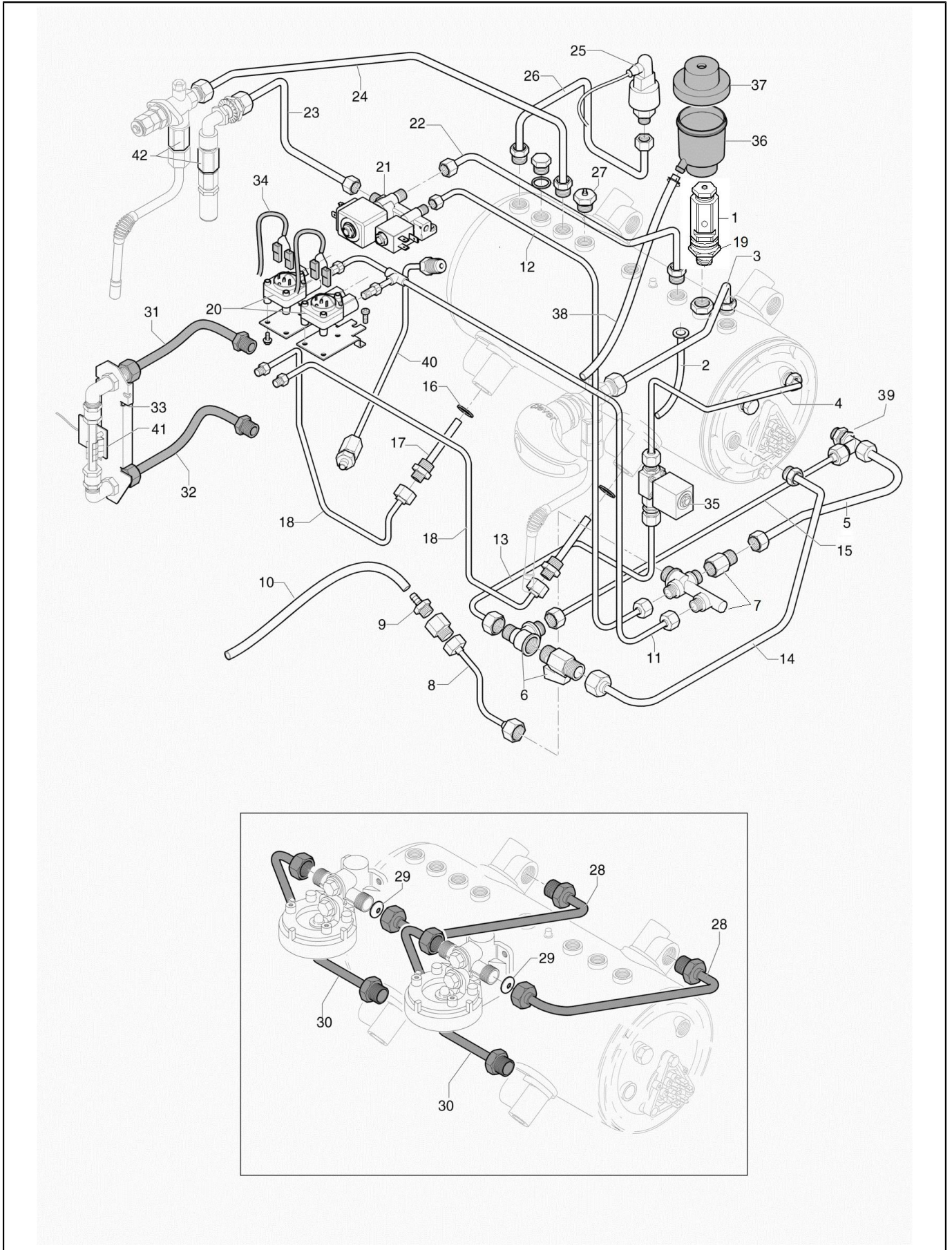
CLASSE 9 USB



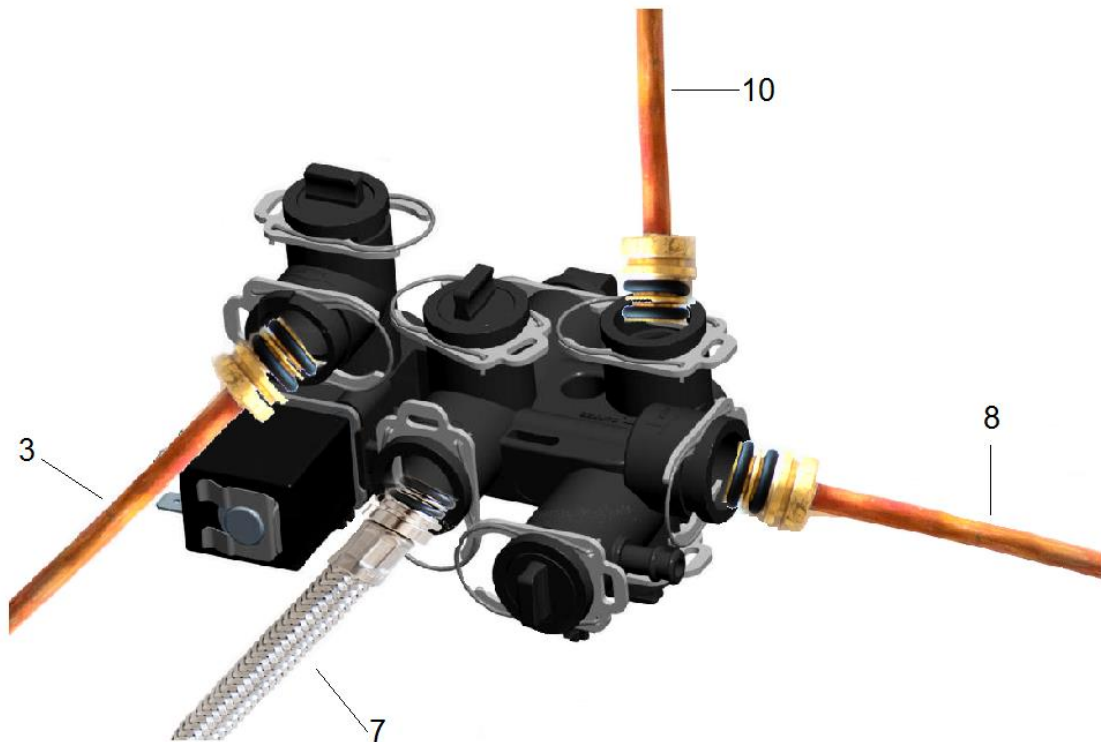
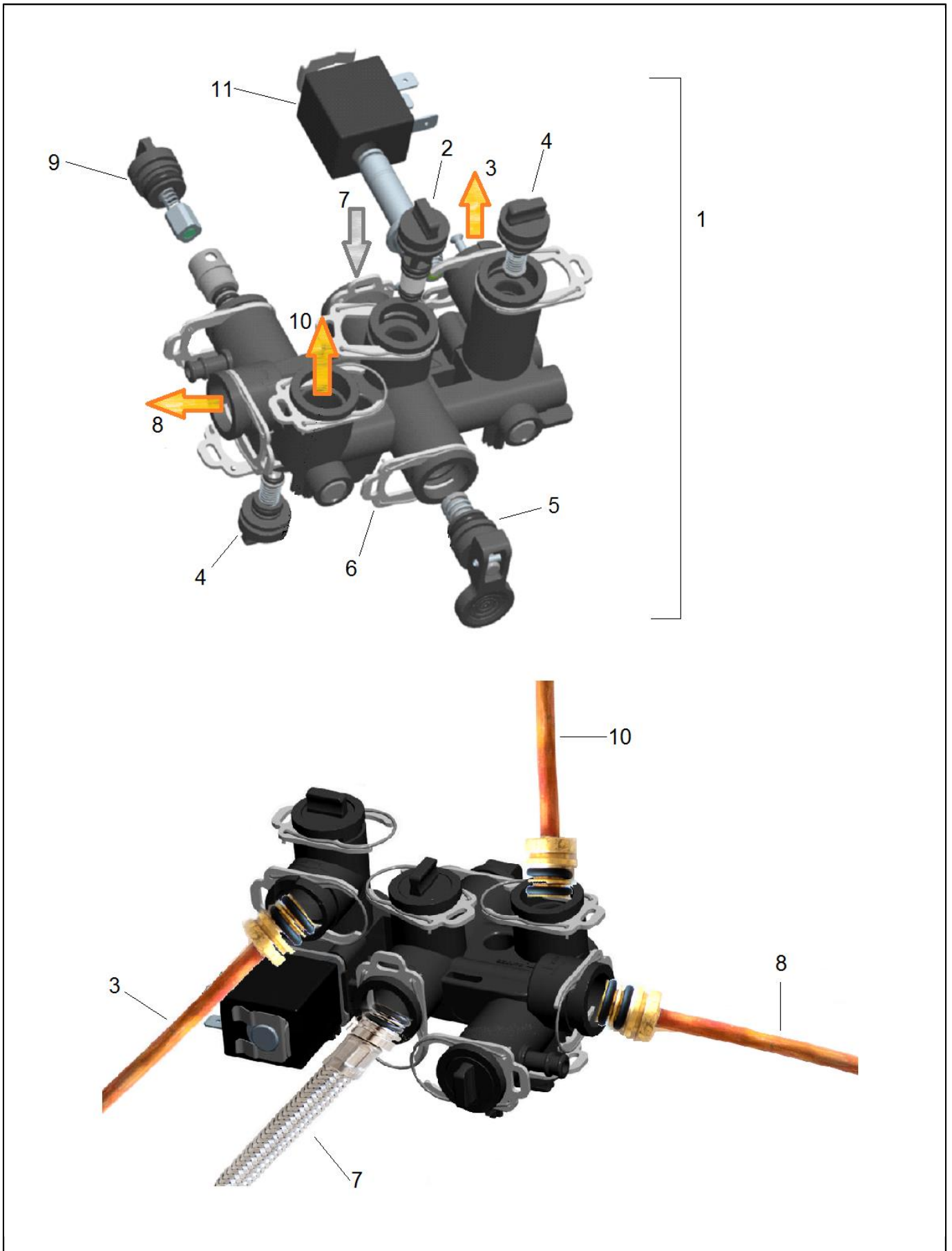
POS.	CODE	DESCRIPTION	NOTES
1	10700331	CONTROL PANEL KIT CLASSE 9 2GR	
	10700332	CONTROL PANEL KIT CLASSE 9 3GR	
	10700333	KIT PANNELLO COMANDI C9 4GR.	
	24902055	CONTROL PANEL 2GR C9/2012	
	24902056	CONTROL PANEL 3GR C9/2012	
	24902057	CONTROL PANEL 4GR C9/2012	
2	32331747	KEYPAD SUPPORT C9USB 2GR	
	32331748	KEYPAD SUPPORT C9USB 3GR	
	32331749	KEYPAD SUPPORT C9USB 4GR	
3	10701170	KIT WATER BUTTON CLASSE 9 USB PPO	
	10705777	WATER BUTTON CLASSE 9USB/14 PLASTIC SUPPORT	
4	10701167	KIT 5 PUSH BUTTON C7-C9 PPO	
	10705778	COFFEE KEYBOARD CLASSE 9 USB/14 PPO/LED ASSY.	
	38120262	AESTHETIC CAP CLASSE 9 USB/14	per versione 3 e 4gr. for 3 and 4gr
5	10705779	DISPLAY CLASSE 9/USB/14	
6	10110470	DISPLAY FAN	
7	38120515	HANDLE HOLE CAP	
8	42200135	CLASSE 9 PLATE/14	
9	38120508	LANCE WATER-STEAM CLOSING	
10	37154212	SCREW 4,2X13	



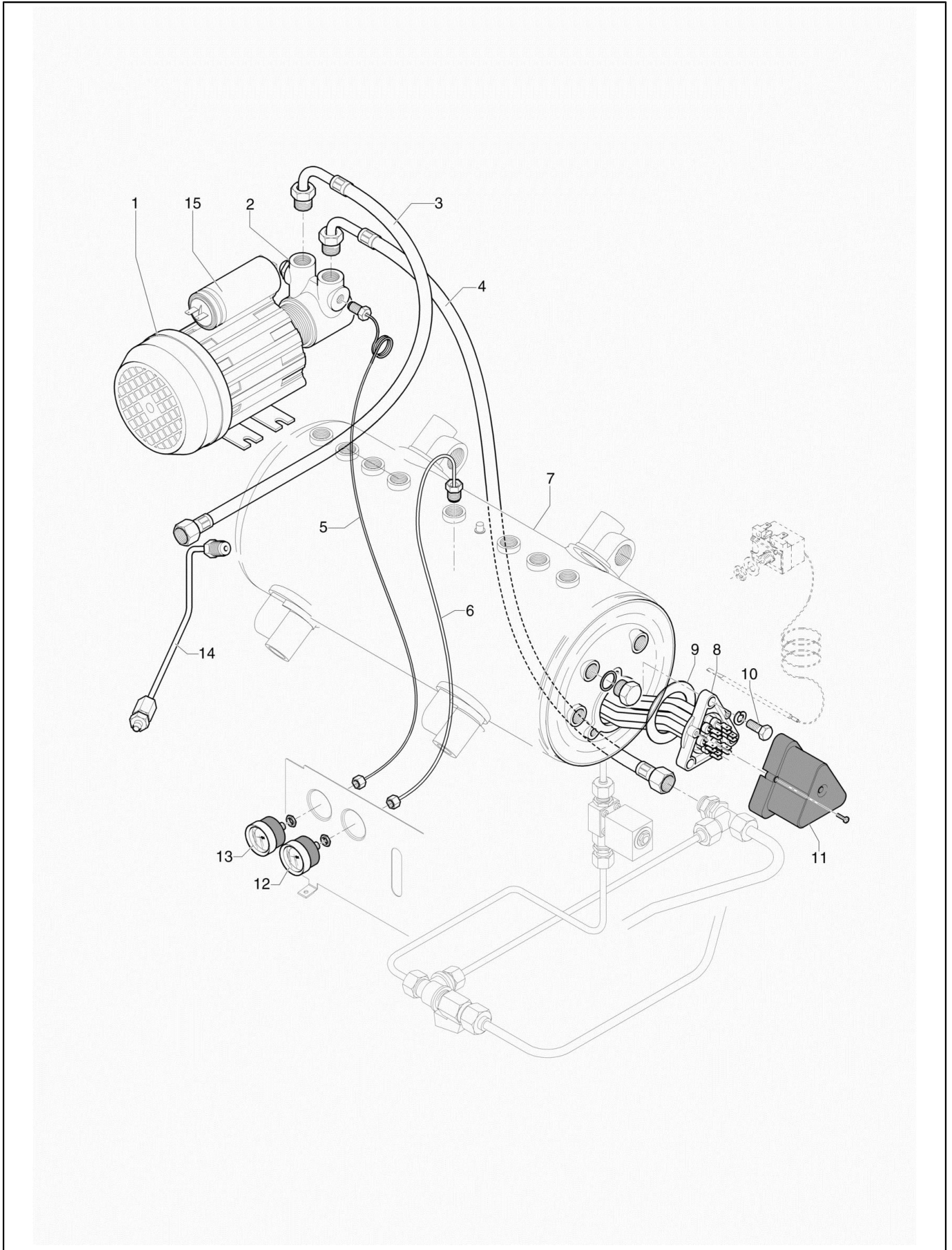
POS.	CODE	DESCRIPTION	NOTES
1	38120525	GROUPHEAD COVER CLASSE 9 TALL	
2	23000042	DRAIN ELECTROV TALL	
3	36404026	O-RING 10,82 X 1,78 V 2043	
4	32331718	UPPER FRONT PANEL 2GR. TALL C9	
	32331719	UPPER FRONT PANEL 3GR. TALL C9	
	32331720	UPPER FRONT PANEL 4GR. TALL C9	
5	32331722	LOWER FRONT PANEL 2GR. TALL C9	
	32331723	LOWER FRONT PANEL 3GR. TALL C9	
	32331724	LOWER FRONT PANEL 4GR. TALL C9	
6	37521000	ELASTIC RING DIAM.10	
7	10781163	EXTRACTIBLE RISE	
8	10090002	THERM.GROUP JETBREAKER	
9	37154212	SCREW 4,2X13	
10	37030408	SCREW M 4 X 8	



POS.	CODE	DESCRIPTION	NOTES
1	10060525	SAFETY VALVE	
2	27120130	HOT WATER SUCTION PIPE	
3	10043044	PIPE 8 X 6 X MML = 320 MM	
4	10042022	TUBE 6X4X230	
5	10043102	PIPE 8 X 6 X MML = 130 MM	
6	10706083	MANUAL WATER CHARGE ASSY	
7	10060448	CHECK VALVE	
8	10042127	PIPE 6X4X180	
9	10060479	EXPANSION VALVE 8 X G 3/8	
10	38228002	SILICONE HOSE D. 9 X 6MML = 560 MM	
11	10046014	MANIFOLD FAN PIPE 2GR	
	10046015	MANIFOLD FAN PIPE 3GR	
	10046016	MANIFOLD FAN PIPE 4GR	
12	10042052	PIPE 6X4X690 F1/4	
	10042053	PIPE 6X4X870	3/4 GR
13	10042117	PIPE 6 X 4 X MML = 220 MM	
14	10043046	PIPE 8 X 6 X MML = 270 MM	
15	10043067	PIPE 8X6X210 F3/8-F3/8 2-3-4GR.	
16	27350001	GASKET 3/8 X 1 COPPER GAS	
17	10042004	INJECTION PIPE 127	
	10042006	INJECTOR PIPE/14 L 175	
18	10042238	ECO TUBO COLLETT-VENTOLINO-SCAMB.-CU-	
	10042239	ECO TUBO COLLETT-VENTOLINO-SCAMB.DX -CU-	
19	23000359	SAFETY VALVE EXTENSION	
20	34070060	FLOWMETER HORIZ. CONNECTION	
21	10705759	WATER MIXER 24V/2016	
	34049011	OPERATOR KIT 2/2 WAYS HOT WATER (T30)	
	34049012	OPERATOR KIT 2/2 WAYS COLD WATER (T22)	
22	10043130	ECO TUBO ECONOM-CALDAIA C11	
23	10043139	ECO TUBO ECONOM-RUB.ACQUA C9	
24	10043028	PIPE 8 X 6 X MML = 420 MM F3/8-M3/8	
25	34200288	PRESSURE SENSOR	
26	10043039	PIPE 8 X 6 X MML = 350 MM	
27	10060061	EVO ANTIVACUUM SOLENOID	
28	10044054	CIRCULATION PIPE 10 X 8 F1/2-M1/2	
29	23125009	GROUP RESTRICTION 3.5MM	
	23125017	GROUP REDUCTION D 4,5	
	23125021	GROUP RESTRICTION 2 MM	
30	10044053	CIRCULATION PIPE 10 X 8 F1/2-M1/2	
31	10044039	UPPER PIPE LEVEL INDICATOR 10X8 F3/8-M3/8	
32	10044061	PIPE LEVEL 10 X 8 F3/8-M3/8	
33	10060383	LEVEL INDICATOR CLASSE 9/13	
34	10110402	FLOWMETER WIRING 1/2GR.	
	10110445	WIRING FAN 2-3-4 GR.	
35	10060466	ELECTROVALVE CHARGE+RETURN 24V	
36	38123947	DRAIN TANK SECURITY VALVE	
37	38123946	SECURITY VALVE TOP	
38	38228003	SILICONE HOSE D. 9 X 6MML = 480 MM	
39	20123001	T JUNCTION	
40	10043007	BOILER DISCHARGE PIPE COMPL.	
41	34070211	LEVEL BOARD	
42	23000158	EXTENSION TAP	

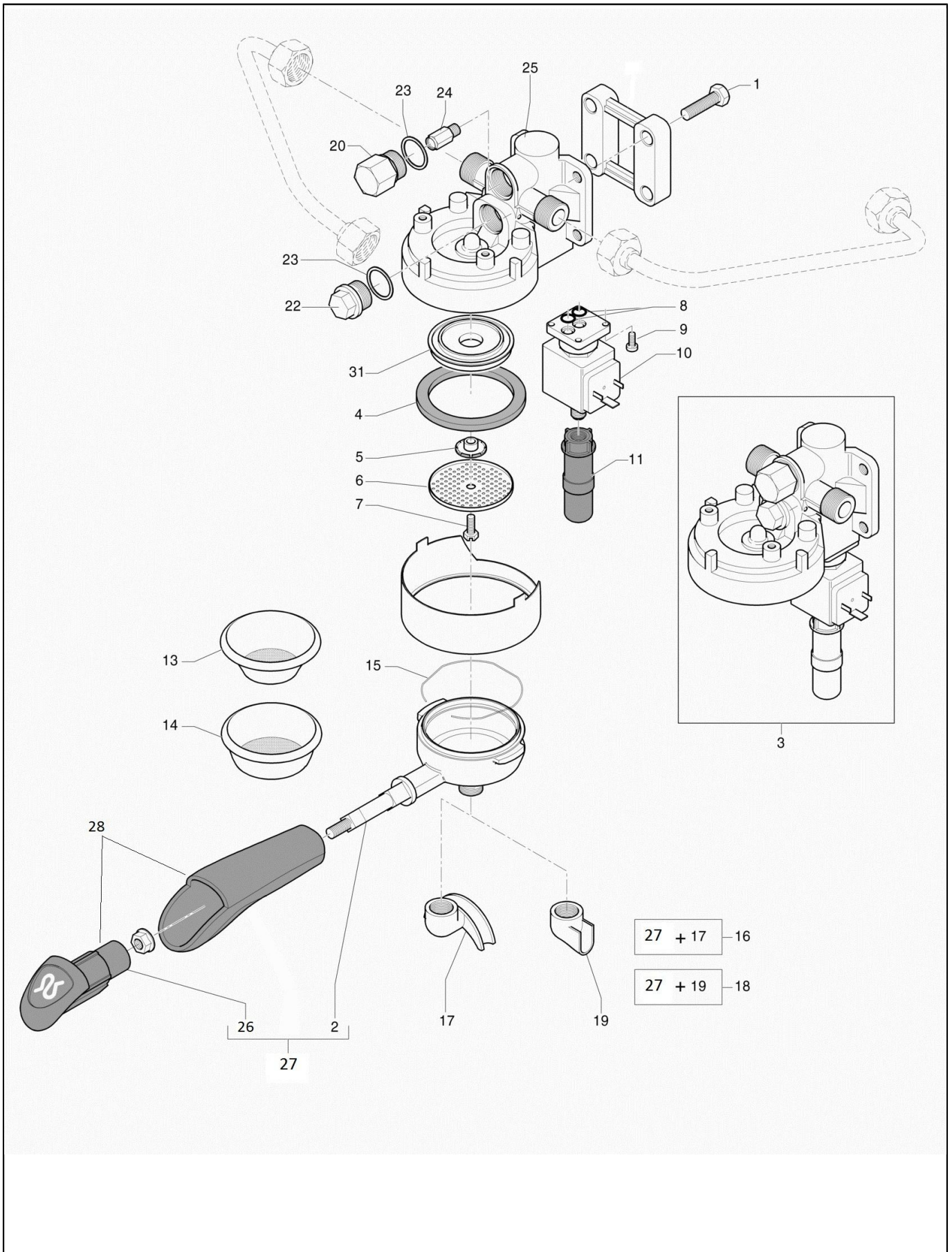


POS.	CODE	DESCRIPTION	NOTES
1	10700299	KIT STARTER HYDRO HUB 24V	
	10701244	HYDRO HUB 24V	
2	69140006	FILTER HYDRAULIC MODULE	
3	10042026	PIPE 6X4X368	
	36404052	O-RING 9,16 X 2,62 F 3037	
4	69140007	CHECK VALVE HYDRAULIC MODULE	
	69140016	CHECK VALVE CAP	
	69140017	CHECK VALVE PISTON	
	69140018	CHECK VALVE SPRING	
5	69140008	MANUAL TAP HYDRAULIC MODULE	
6	69140012	CLOSING BRACKET HYDRAULIC MODULE	
7	36404052	O-RING 9,16 X 2,62 F 3037	
	69000730	FLEX PIPE M3/8 1060 MM ELBOW	
	69000731	FLEX PIPE 3/8M-SN MM 830 ELBOW	
	69000738	FLEX PIPE M3/8 1290 MM ELBOW	
8	10042062	PIPE 6X4X690 ECONOMIZER HYDRAULIC MOD.	
	10042146	PIPE 6 X 4 X 1250 WATER MIXER-HYDRO HUB	2gr tall
	10042196	ECO TUBO MOD.IDR-ECONOM.2GR.C11	2gr
	36404052	O-RING 9,16 X 2,62 F 3037	
9	69140009	PRESSURE RELIEF VALVE HYDRAULIC MODULE	
	69140010	SPRING PRESSURE RELIEF VALVE HYDRAULIC MODULE	
	69140011	PLUNGER PRESSURE RELIEF VALVE HYDRAULIC MODULE	
	69140019	PRESSURE RELIEF VALVE CAP	
10	10046030	PIPE MANIFOLD FLOWMETER 2GR HYDRAULIC MOD.	
	10046084	ECO TUBO COLLETT-VENTOL.3GR.	
	10046085	ECO TUBO COLLETT-VENTOL.4GR.	
	10046086	ECO TUBO COLLETT-VENTOLINO 3GR.X-CELS	
	10046088	ECO TUBO COLLETT-VENTOL.2GR.TALL MOD/IDR.	
	10046089	ECO TUBO COLLETT-VENTOL.3GR.TALL MOD/IDR.	
	10046090	ECO TUBO COLLETT-VENTOL.4GR.TALL MOD/IDR.	
	10046091	ECO TUBO COLLETT-VENTOLINO 3GR.X-CELS TALL MOD/IDR	
	36404052	O-RING 9,16 X 2,62 F 3037	
11	69140013	OPERATOR KIT 24V HYDRAULIC MODULE	

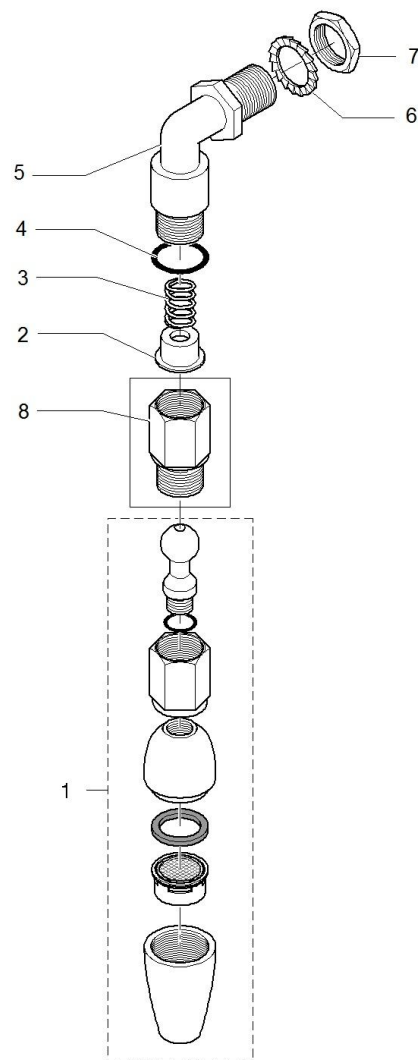


HEATING ELEMENT/CHECK EXP. VALVE

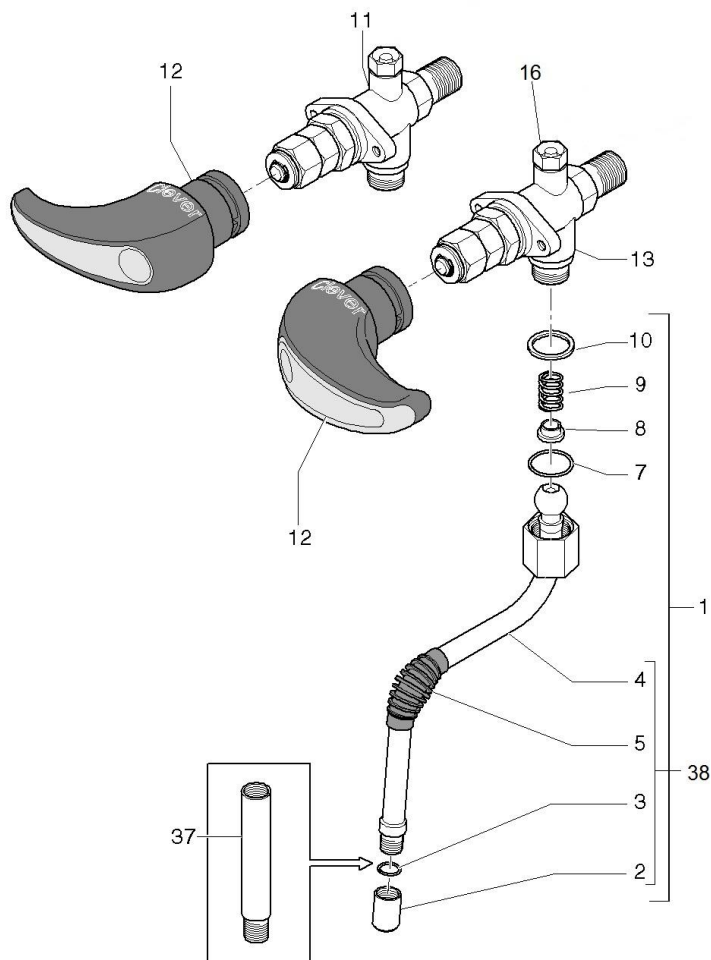
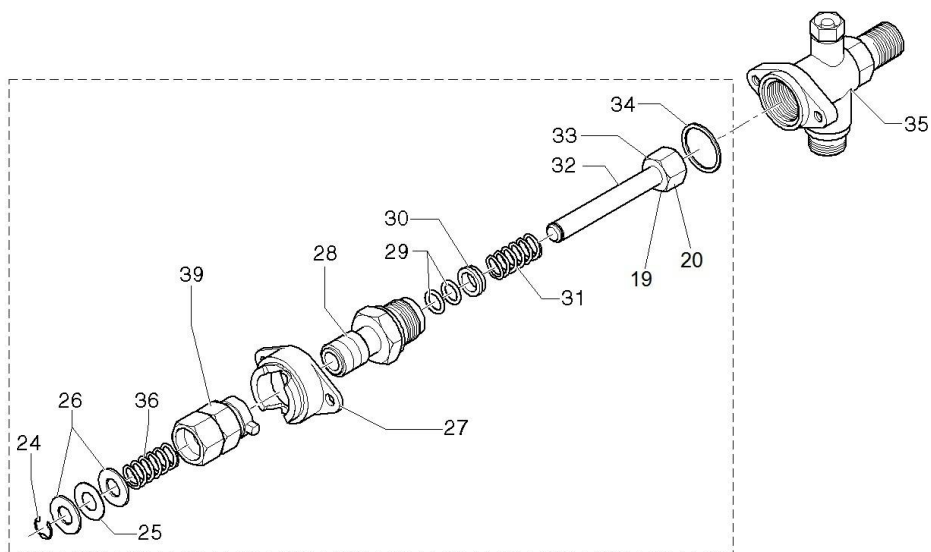
POS.	CODE	DESCRIPTION	NOTES
1	34011009	MOTOR 110 V CE / UL	
	34011102	VM MOTOR 230V	
2	10705960	KIT PUMPING ELEMENT	
	69000993	VOLUMETRIC PUMP VM 200L/H "RANCILIO"	
3	69000734	FLEX PIPE MM1800 WITH ELBOW+CHECK VALVE	
	69000735	FLEX PIPE MM2300 WITH ELBOW+CHECK VALVE	
4	69000722	FLEX PIPE MM.500	
	69000724	FLEX PIPE MM.1200	
	69000725	PIPE FLEX MM.730	
5	69000243	PIPE CAPILLARY MANOMETER F1/8-M1/8	
6	10041042	PIPE 4 X 3 MML = 600 MM	
7	10701376	BOILER RETROFIT KIT 2GR	
	10701377	BOILER RETROFIT KIT 3GR	
	10701378	BOILER RETROFIT KIT 4GR	
	10701397	RETROFIT KIT CALDAIA 2GR NICHELATA	
	10701398	RETROFIT KIT CALDAIA 3GR NICHELATA	
	10701399	RETROFIT KIT CALDAIA 4GR NICHELATA	
8	33323004	HEATING ELEMENT CAPILL. 230V/4300W	
	33323006	HEATING ELEMENT+CAPILLAR 230V 6000W	
9	36930012	GASKET RESISTANCE TEFLON	
10	37040821	SCREW M 8X22	
11	38123665	COVER HEATING ELEMENT	
12	35002508	BOILER MANOMETER	
13	35002509	PUMP MANOMETER	
14	10043007	BOILER DISCHARGE PIPE COMPL.	
15	34020020	CONDENSER 8 MF RPM	



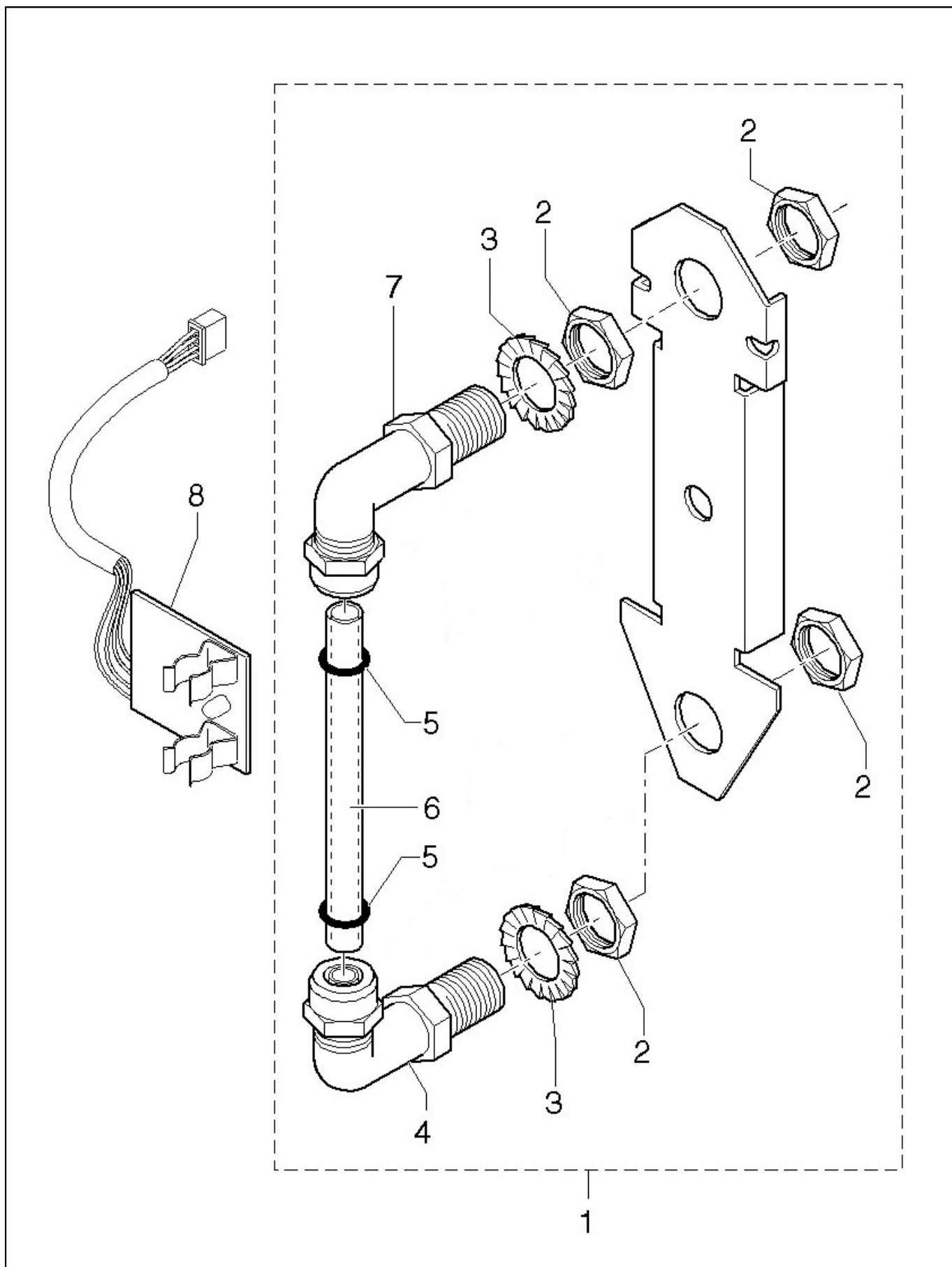
POS.	CODE	DESCRIPTION	NOTES
1	37040830	SCREW M 8X30	
2	20112011	FILTER-HOLDER	
3	10051213	GROUPHEAD CLASSE 10/SDE 24V	
4	36301046	GROUP GASKET PEROSSIDICA HP	
5	25139001	GROUP JETBREAKER	
6	40200005	SHOWER NET	
7	37030518	SHOWER SCREW	
8	36402005	O-RING ELECTROVALVE	
9	37060413	SCREW M 4 X 12	
10	34040151	ELECTROVALVE 3/2 WAYS 24V SIRAI	
11	10090002	THERM.GROUP JETBREAKER	
13	40100101	1 CUP CALIBRATED FILTER	
14	40100102	2 CUP CALIBRATED FILTER	
	40100103	DEEPER FILTER 2 CUP CALIBRATED	
15	25105005	FIX.FILTER SPRING	
16	10071137R	PORTAF.MC/09 2DOSI CONFEZIONATO	
17	21100801	2 CUP BEAK MC/09	
18	10071118R	PORTAF.MC/09 1DOSE CONFEZIONATO	
19	21102601	1 CUP BEAK MC/09	
20	23000227	GROUP JET CAP	
22	20122653	BREWING GROUP CAP	
23	27400002	BREWING CHAMBER TAP GASKET	
24	10060612	BREWING GROUP FLOW LIMITER ASSY.	
25	20200054	GROUP BODY	
26	10705535	FILTERHOLDER CAP WITH RING	
27	10071100	FILTERHOLDER NO BECK	
28	10705091	KIT FILTER HOLDER TAP 07	
31	20200182	SHOWER HOLDER BRASS	



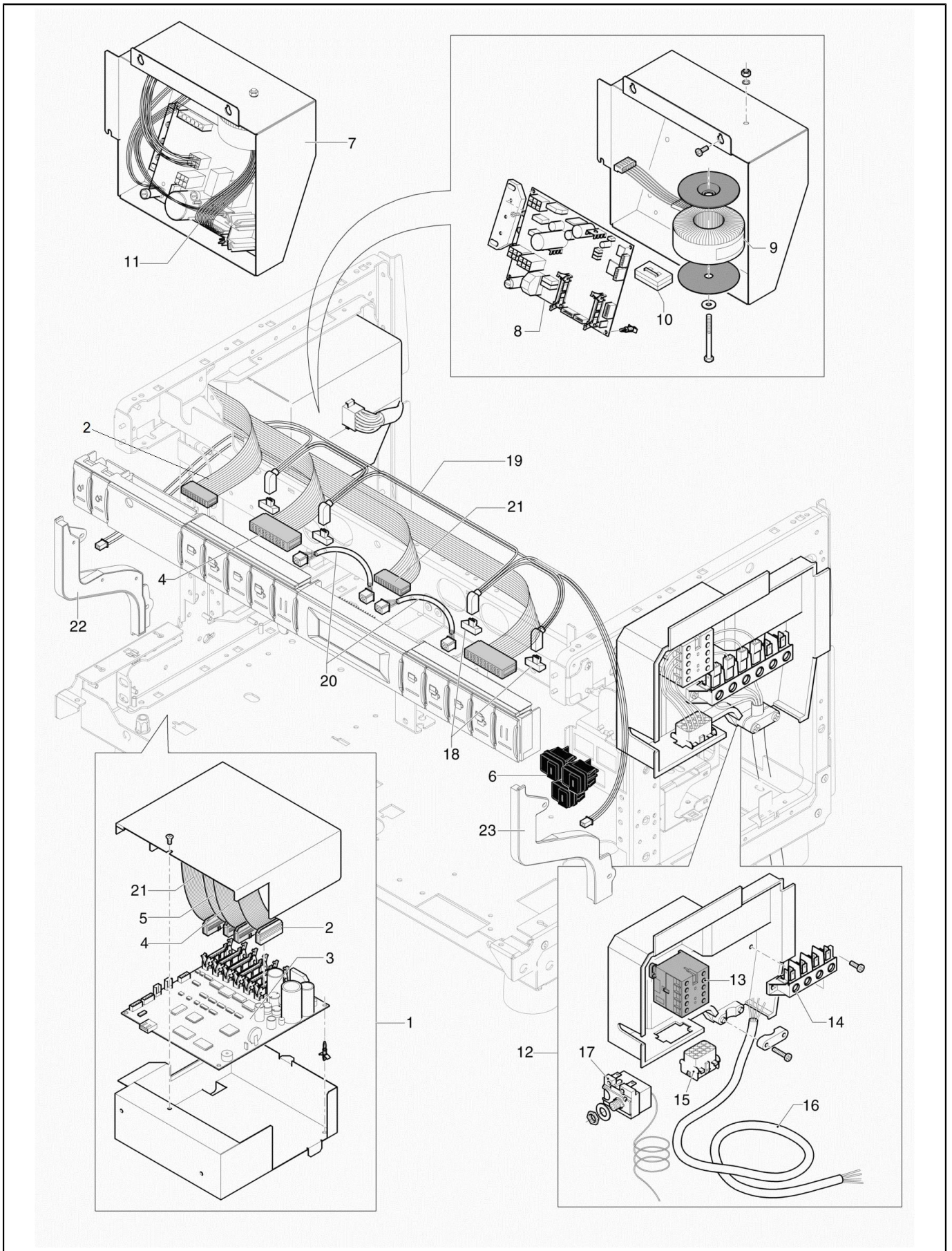
POS.	CODE	DESCRIPTION	NOTES
1	10049014	NOEPerl MIXING NOZZLE G 3/8	
2	36930016	GASKET	
3	39110038	SPRING	
4	36220009	GASKET NUT NOTE TEFLON	
5	20200113	HOT WATER CONNECTION BRASS	
6	37431600	OUTER TOOTHED WASHER D16	
7	26220005	FLAT NUT 3/8	
8	23000158	EXTENSION TAP	



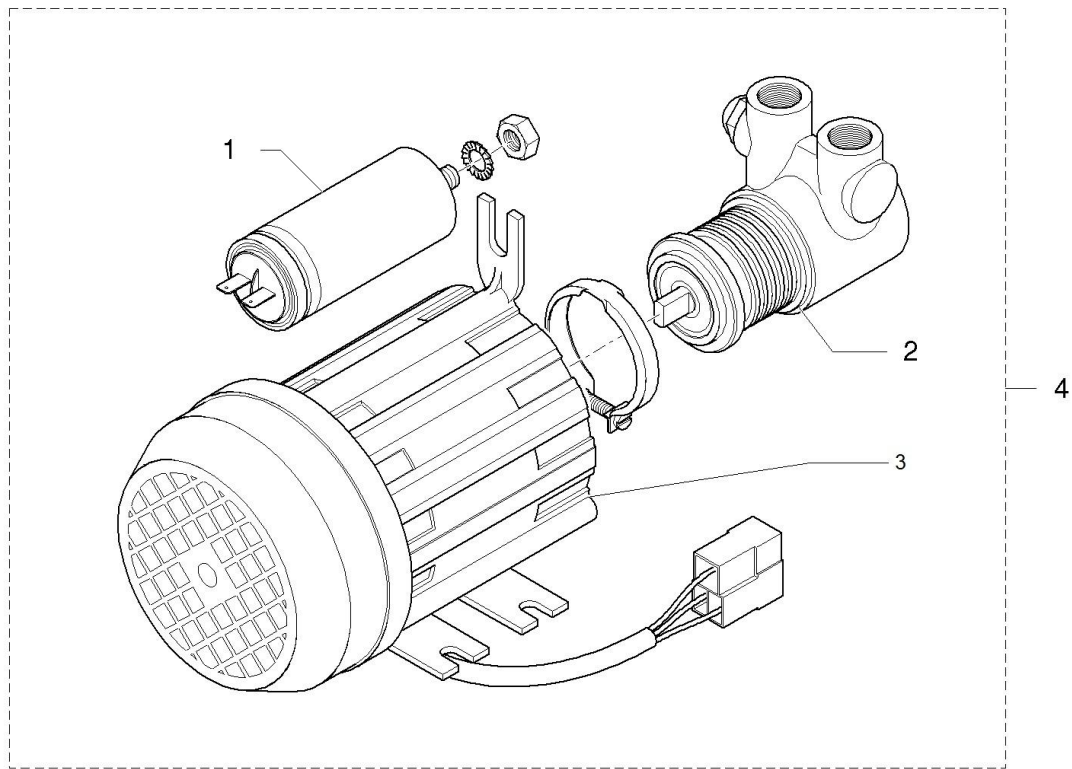
POS.	CODE	DESCRIPTION	NOTES
1	10701426	LANCIA COOLTOUCH/17	
	10706034	STEAM PIPE+JOINT LG.25 INOX	CLASSE 9
2	23000121	SPRAYER LG25 D1.1	
	25111006	STEAM NOZZLE	
3	36404022	O-RING 6,4 X 1,9 R5A	
4	10049112	STEAM PIPE INOX LG 25	CLASSE 9
	10049127	LANCIA COOL TOUCH COMPLETA-C9-C11-ONE	
5	36990004	RUBBER FOR STEAM PIPES	
7	36930017	TEFLON GASKET FOR STEAM WAND NUT	
8	36930016	GASKET	
9	39110038	SPRING	
10	36220009	GASKET NUT NOTE TEFLON	
11	10060134	CLEVER/15 STEAM TAP LEFT	
	10060139	CLEVER STEAM TAP LEFT+A.V. VALVE	
12	10060181	HANDLE CLEVER	
13	10060135	CLEVER/15 STEAM TAP RIGHT	
	10060140	CLEVER STEAM TAP RIGHT+A.V. VALVE	
16	10705180	KIT AV VALVE STEAM TAP	
27	10701239	KIT CLEVER/15 CAMS PEEK RIGHT	
	10701240	KIT CLEVER/15 CAMS PEEK LEFT	
35	10705014	STEAM COCK BODY+VALVE A.VV	
39	10701239	KIT CLEVER/15 CAMS PEEK RIGHT	
	10701240	KIT CLEVER/15 CAMS PEEK LEFT	



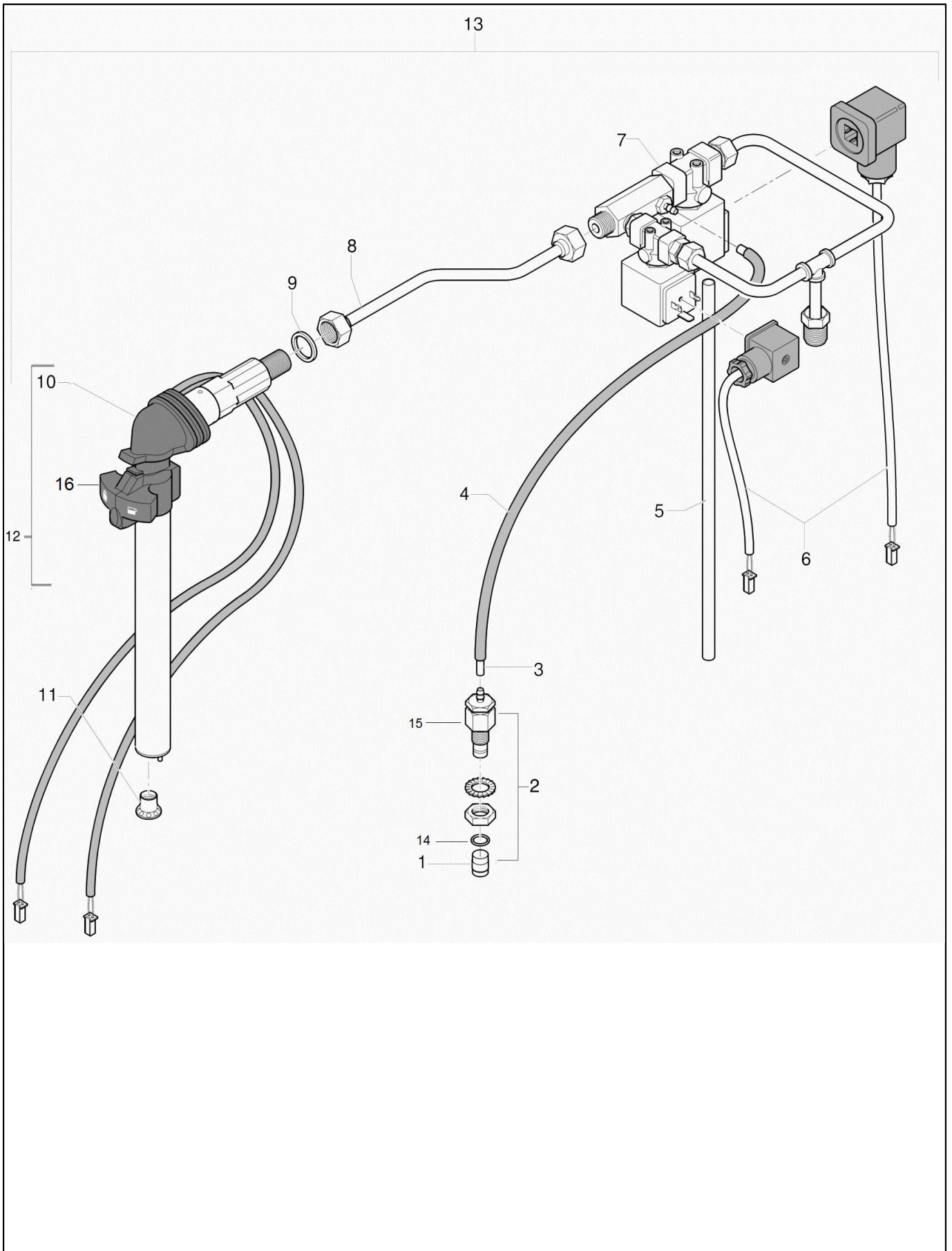
POS.	CODE	DESCRIPTION	NOTES
1	10060383	LEVEL INDICATOR CLASSE 9/13	
2	26220005	FLAT NUT 3/8	
3	37430600	TOOTH LOCK WASHER D. 6	
4	20121103	JUNCTION FOR LEVEL	
5	36402003	O-RING 9,25 X 1,78 V 75SH	
6	38228066	TEFLON PIPE D.10X8X107,5	
7	23222035	LONG JUNCTION 3/8	
8	34070211	LEVEL BOARD	



POS.	CODE	DESCRIPTION	NOTES
1	10110384	CPU BOX XCELSIUS	
2	10110752	FUNCTIONS CABLE	
3	10700983	KIT CPU BOARD C9 USB/XCELSIUS	
4	10110439	WIRING PANEL-GROUP 1	
	10110440	WIRING PANEL-GROUP 2	
5	10110441	WIRING PANEL-GROUP 3	
	10110442	WIRING PANEL.GROUP 4	
6	34030970	GREEN SWITCH	
7	10110390	POWER BOX SDE12	
8	10110773	WIRING RELAY BOILER OVERPRESSURE CLASSE 10 CLASSE	
	10700985	KIT POWER BOARD SDE12	this could be use also on machine with old power board. Remember to disconnect save-heating element connector.
9	34200269	TRANSFORMER 140va	
10	38123598	FUSE BOX	
11	10110649	WIRING POWER BOARD	
12	10110375	ELECTRIC BOX 230V+FILTER EMC	
	34021004	FILTER EMC	
13	34200332	MINI-CONTACTOR 220-240V	
14	34150026	CLAMP 4 POSITION	
15	10110655	WIRING POWER	
16	34300073	CABLE	
	34300074	CABLE 3 WIRES 2,5	
17	34200097	SAVE- HEATING ELEMENT EGO MONOF.	
18	10705683	LED GROUPS	
19	10110738	LIGHT CABLE 2GR C9	
	10110739	LIGHT WIRING 3GR	
	10110740	LIGHT WIRING 4GR	
20	10110744	RGB PANEL CABLES 1-2 GR	
	10110745	RGB PANEL CABLES 3-4 GR	
21	10110405	PANEL WIRING 2GR	
22	10705681	LED BAR RIGHT	
23	10705682	LED BAR LEFT	



POS.	CODE	DESCRIPTION	NOTES
1	34020020	CONDENSER 8 MF RPM	
2	10705960	KIT PUMPING ELEMENT	
	69000993	VOLUMETRIC PUMP VM 200L/H "RANCILIO"	
3	34011102	VM MOTOR 230V	
4	13077071	PUMP 230V 1/2GR	



POS.	CODE	DESCRIPTION	NOTES
1	23000092	FLOW LIMITER D. 0,25 MM	
	23000093	FLOW LIMITER D. 0,35 MM	
	23000192	JET ISTEAM YOUSTEAM D. 0,15	
2	10705320	AIR INPUT VALVE	
3	38228016	SILICON PIPE D5X3	
4	34209124	SHEATH PLAITED POLIESTER UL94	
5	38228002	SILICONE HOSE D. 9 X 6MML = 560 MM	
6	10110420	WIRING GROUP/WATER EV.	
7	10705575	ASSEMBLY ELETTR. -VENTURI ISTEAM	
8	10043067	PIPE 8X6X210 F3/8-F3/8 2-3-4GR.	
9	23000091	DISTANCE STEAM TAP BODY ISTEAM	
10	36990017	STEAM SHROUD ISTEAM	
11	23000098T	ISTEAM SPRAYER	
12	10705350	KIT ISTEAM LONG	250mm
13	10705980	RETROFIT KIT ISTEAM CLASSE 9 USB	
14	36404013	O-RING SILICONE 2031	
15	36230017	DUCKBILL	

Code	No. table	Pos.
10041042	2003	6
10042004	2000	17
10042006	2000	17
10042022	2000	4
10042026	2013	3
10042052	2000	12
10042053	2000	12
10042062	2013	8
10042117	2000	13
10042127	2000	8
10042146	2013	8
10042196	2013	8
10042238	2000	18
10042239	2000	18
10043007	2000	40
10043007	2003	14
10043028	2000	24
10043039	2000	26
10043044	2000	3
10043046	2000	14
10043067	2000	15
10043067	4000	8
10043102	2000	5
10043130	2000	22
10043139	2000	23
10044039	2000	31
10044053	2000	30
10044054	2000	28
10044061	2000	32
10046014	2000	11
10046015	2000	11
10046016	2000	11
10046030	2013	10
10046084	2013	10
10046085	2013	10
10046086	2013	10
10046088	2013	10
10046089	2013	10
10046090	2013	10
10046091	2013	10
10049014	2007	1
10049112	2008	4
10049127	2008	4
10051213	2004	3
10060061	2000	27
10060134	2008	11
10060135	2008	13
10060139	2008	11
10060140	2008	13
10060181	2008	12
10060383	2000	33
10060383	2010	1
10060448	2000	7
10060466	2000	35
10060479	2000	9
10060525	2000	1
10060612	2004	24
10071100	2004	27
10071118R	2004	18
10071137R	2004	16
10090002	1003	8
10090002	2004	11
10110375	3000	12
10110384	3000	1
10110390	3000	7
10110402	2000	34
10110405	3000	21

Code	No. table	Pos.
10110420	4000	6
10110427	1000	28
10110439	3000	4
10110440	3000	4
10110441	3000	5
10110442	3000	5
10110445	2000	34
10110470	1001	6
10110649	3000	11
10110655	3000	15
10110738	3000	19
10110739	3000	19
10110740	3000	19
10110744	3000	20
10110745	3000	20
10110752	3000	2
10110773	3000	8
10700276	1000	1
10700277	1000	1
10700278	1000	1
10700299	2013	1
10700331	1001	1
10700332	1001	1
10700333	1001	1
10700983	3000	3
10700985	3000	8
10701167	1001	4
10701170	1001	3
10701239	2008	27
10701239	2008	39
10701240	2008	27
10701240	2008	39
10701244	2013	1
10701376	2003	7
10701377	2003	7
10701378	2003	7
10701397	2003	7
10701398	2003	7
10701399	2003	7
10701426	2008	1
10705014	2008	35
10705091	2004	28
10705180	2008	16
10705320	4000	2
10705350	4000	12
10705535	2004	26
10705575	4000	7
10705681	1000	10
10705681	3000	22
10705682	1000	11
10705682	3000	23
10705683	3000	18
10705759	2000	21
10705777	1001	3
10705778	1001	4
10705779	1001	5
10705960	2003	2
10705960	3003	2
10705980	4000	13
10706034	2008	1
10706083	2000	6
10781163	1003	7
10905015	1000	7
10905016	1000	8
13077071	3003	4
20112011	2004	2
20121103	2010	4

Code	No. table	Pos.
20122653	2004	22
20123001	2000	39
20200054	2004	25
20200113	2007	5
20200182	2004	31
21100801	2004	17
21102601	2004	19
23000042	1003	2
23000091	4000	9
23000092	4000	1
23000093	4000	1
23000098T	4000	11
23000121	2008	2
23000158	2000	42
23000158	2007	8
23000192	4000	1
23000227	2004	20
23000359	2000	19
23125009	2000	29
23125017	2000	29
23125021	2000	29
23222035	2010	7
24902055	1001	1
24902056	1001	1
24902057	1001	1
25105005	2004	15
25111006	2008	2
25139001	2004	5
26220005	2007	7
26220005	2010	2
27120130	2000	2
27350001	2000	16
27400002	2004	23
32330971	1000	3
32330972	1000	4
32330973	1000	3
32331702	1000	14
32331703	1000	14
32331704	1000	14
32331706	1000	15
32331707	1000	15
32331708	1000	15
32331710	1000	13
32331711	1000	13
32331712	1000	13
32331714	1000	12
32331715	1000	12
32331716	1000	12
32331718	1003	4
32331719	1003	4
32331720	1003	4
32331722	1003	5
32331723	1003	5
32331724	1003	5
32331726	1000	5
32331727	1000	5
32331728	1000	5
32331730	1000	6
32331731	1000	6
32331732	1000	6
32331736	1000	16
32331737	1000	16
32331738	1000	16
32331747	1001	2
32331748	1001	2
32331749	1001	2
33122002	1000	2

Code	No. table	Pos.
33122003	1000	2
33122004	1000	2
33323004	2003	8
33323006	2003	8
34011009	2003	1
34011102	2003	1
34011102	3003	3
34020020	2003	15
34020020	3003	1
34021004	3000	12
34030970	3000	6
34040151	2004	10
34049011	2000	21
34049012	2000	21
34070060	2000	20
34070211	2000	41
34070211	2010	8
34150026	3000	14
34200097	3000	17
34200269	3000	9
34200288	2000	25
34200332	3000	13
34209124	4000	4
34300073	3000	16
34300074	3000	16
35002508	2003	12
35002509	2003	13
36220009	2007	4
36220009	2008	10
36230017	4000	15
36301046	2004	4
36402003	2010	5
36402005	2004	8
36404013	4000	14
36404022	2008	3
36404026	1003	3
36404052	2013	10
36404052	2013	3
36404052	2013	7
36404052	2013	8
36930012	2003	9
36930016	2007	2
36930016	2008	8
36930017	2008	7
36990004	2008	5
36990017	4000	10
37030408	1003	10
37030509	1000	30
37030518	2004	7
37040821	2003	10
37040830	2004	1
37060413	2004	9
37154212	1000	29
37154212	1001	10
37154212	1003	9
37430600	2010	3
37431600	2007	6
37521000	1003	6
38120262	1001	4
38120501	1000	17
38120502	1000	18
38120503	1000	19
38120508	1001	9
38120511	1000	25
38120515	1001	7
38120525	1003	1
38120541	1000	24

Code	No. table	Pos.
38123568	1000	22
38123598	3000	10
38123665	2003	11
38123666	1000	20
38123852	1000	27
38123856	1000	21
38123921	1000	23
38123946	2000	37
38123947	2000	36
38228002	2000	10
38228002	4000	5
38228003	2000	38
38228016	4000	3
38228066	2010	6
39110038	2007	3
39110038	2008	9
40100101	2004	13
40100102	2004	14
40100103	2004	14
40200005	2004	6
42200123	1000	26
42200135	1001	8
69000243	2003	5
69000722	2003	4
69000724	2003	4
69000725	2003	4
69000730	2013	7
69000731	2013	7
69000734	2003	3
69000735	2003	3
69000738	2013	7
69000993	2003	2
69000993	3003	2
69140006	2013	2
69140007	2013	4
69140008	2013	5
69140009	2013	9
69140010	2013	9
69140011	2013	9
69140012	2013	6
69140013	2013	11
69140016	2013	4
69140017	2013	4
69140018	2013	4
69140019	2013	9



Headquarters, Production Plant and R&D Centers

Rancilio Group s.p.a.

Viale della Repubblica 40
20010 Villastanza di Parabiago
Milano - Italy
Tel +39 0331 408200
Fax +39 0331 551437
www.ranciliogroup.com
info@ranciliogroup.com

Egro Suisse AG

Bahnhofstrasse 66
5605 Dottikon, Switzerland
Tel. +41 (0)56 616 95 95
Fax +41 (0)56 616 95 97
www.egrocoffee.com
info@egrocoffee.com

Worldwide Branch Locations

SPAIN

RancilioGroup Espana, s.a.
Gran Via de Carlos III, 84 3ª
Edificio Trade
08028 Barcelona - Spain
Tel. +34 902 884 275
Tel. +34 934 923 414
Fax +34 934 965 701
www.ranciliogroup.com
info-es@ranciliogroup.com

PORTUGAL

Rancilio Group Portugal Lda
Estrada da Falagueira nº 68 E
2700-365 Amadora-Lisboa - Portugal
Tel. +351 21 019 10 91
Fax +351 21 019 10 91

Rua Nova do Seixo 1282
4465-706 Leça do Balio-Porto - Portugal
Tel. +351 22 010 14 19
Fax +351 22 010 14 19
www.ranciliogroup.com
info-pt@ranciliogroup.com

GERMANY

Rancilio Group Deutschland GmbH
Talstrasse 27
97990 Weikersheim - Germany
Ph. +49 7934 99 29 30
Fax +49 7934 99 29 330
www.ranciliogroup.de
info-de@ranciliogroup.com

SWITZERLAND

Egro Suisse AG
Bahnhofstrasse 66
5605 Dottikon - Switzerland
Tel. +41 (0)56 616 95 95
Fax +41 (0)56 616 95 97
www.egrosuisse.ch
info@egrosuisse.ch

USA/CANADA

Rancilio Group North America Inc.
1340 Internationale Parkway / Suite 200
Woodridge, IL 60517 - U.S.A.
Ph: +1 630 914 7900
Fax: +1 630 914 7901
Toll Free: +1 877 726 2454
www.ranciliogroup.com
info@ranciliogroupna.com

