

MAR 76

Modular Ice Machine up to 510 kg

Item #:
Project:
Quantity:



FEATURES

- Modular scale ice machine, production up to 570 Kg in 24h (ø 1 mm. ice thickness).
- Scale ice machine, in "compact system" version; built-in unit.
- Storage bin not supplied, to be purchased separately.
- AISI304 Stainless steel evaporator and ice scraper blade.
- Redesigned evaporator compartment end-walls.
- Foodgrade ABS plastic water sump tray, easy remove for cleaning and sanitising.
- Electromechanical control panel.



MAR 76
Scale ice
Residual water content 2%
Thickness 1 o 2 mm

CONDENSING SYSTEM

Air cooled
Water cooled

REFRIGERANT GAS

R404A

VOLTAGE V/Hz/ph

230/60/3
380/60/3N
400/50/3N

RECOMMENDED BINS

Head	Bins		kg
MAR 76	●	UBH1100	553
	●	UBH1600	812
	●	UBH2250	1068
	●	SIS300	137 + 73
	●	SIS700	318 + 73
	●	SIS1350	613 + 73 + 73

LEGENDA:

- ✓ : Perfect combination between ice maker and bin
- : Ice chute cut-out performed upon installation
- CBTxxxxxxxx : need additional bin top

Certifications:



OPERATING REQUIREMENTS

	Minimum	Maximum
Air temperature	10°C	43°C
Water temperature	5°C	38°C
Water pressure	1 bar (14 psi)	5 bar (70 psi)
Electrical voltage	-10%	+10%

IMPORTANT NOTICE:
Models and specifications are subject to change without notice. This spec sheet is meant for commercial purpose only. For technical documentation please refer to our service manuals.

Download our free **App Scotsman Ice**
Apple store
Google play
Windows store



www.scotsman-ice.it
www.scotsman-ice.com

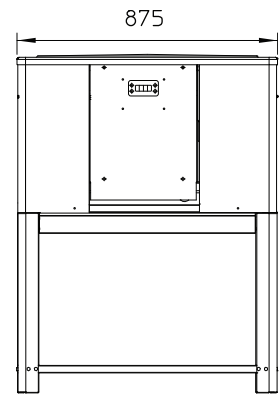
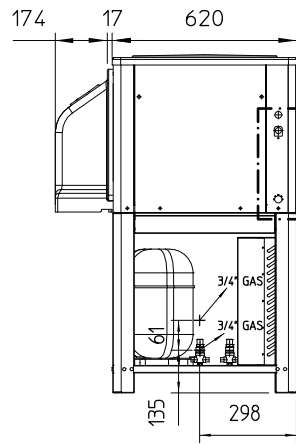
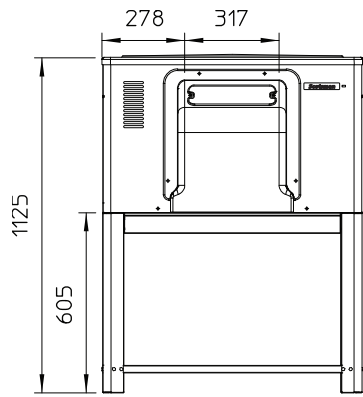
Modular Ice Machine up to 510 kg

MAR 76

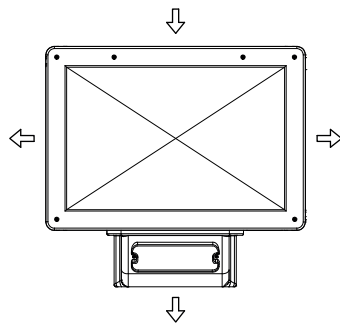
Modular Ice Machine up to 510 kg

Item #:
Project:
Quantity:

Modular Ice Machine up to 510 kg

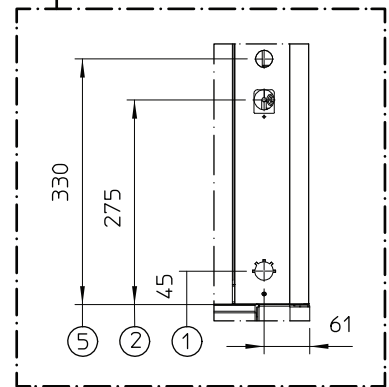


AIR FLOW



UNIT OF MEASUREMENT: mm

1. 13/16" OD - OVERFLOW DRAIN
2. 3/4" GAS - WATER INLET
3. 3/4" GAS - WATER OUTLET
WATER COOLED UNIT ONLY
4. 3/4" GAS - WATER INLET
WATER COOLED UNIT ONLY
5. CORD SET



UNIT DATA			Compressor		Circuit wires		Max. fuse size		
			Version	Voltage	Btu/h	W	No.	Ømm ²	A
Size (W x D x H)	906 x 636 x 1125 mm		MAR 76 AS	400/50/3N	7677	2250	5	2.5	16
Net weight	186 kg		MAR 76 WS	400/50/3N	7677	2250	5	2.5	16
SHIPPING DATA			MAR 76 AS	230/60/3	7677	2250	4	2.5	16
			MAR 76 AS	380/60/3N	7677	2250	5	2.5	16
Carton (W x D x H)	980 x 740 x 1230 mm								
Weight	203 kg								
			24 h ice production kg °C Amb. / °C Water			Energy consumption*		Water usage*	Instant power
Version	Condensation	Voltage	10°C/10°C	21°C/10°C	32°C/21°C	kWh/100 kg	kWh/24h	l/h	W
MAR 76 AS	Air	400/50/3N	510	480	400	15.0	60.0	16.7	2500
MAR 76 WS	Water	400/50/3N	510	480	400	15.0	60.0	375.0	2500
MAR 76 AS	Air	230/60/3	510	480	400	15.0	60.0	16.7	5000
MAR 76 AS	Air	380/60/3N	510	480	400	15.0	60.0	16.7	2500

(*) Data refer to 32°C Amb. / 21°C Water temperature conditions