



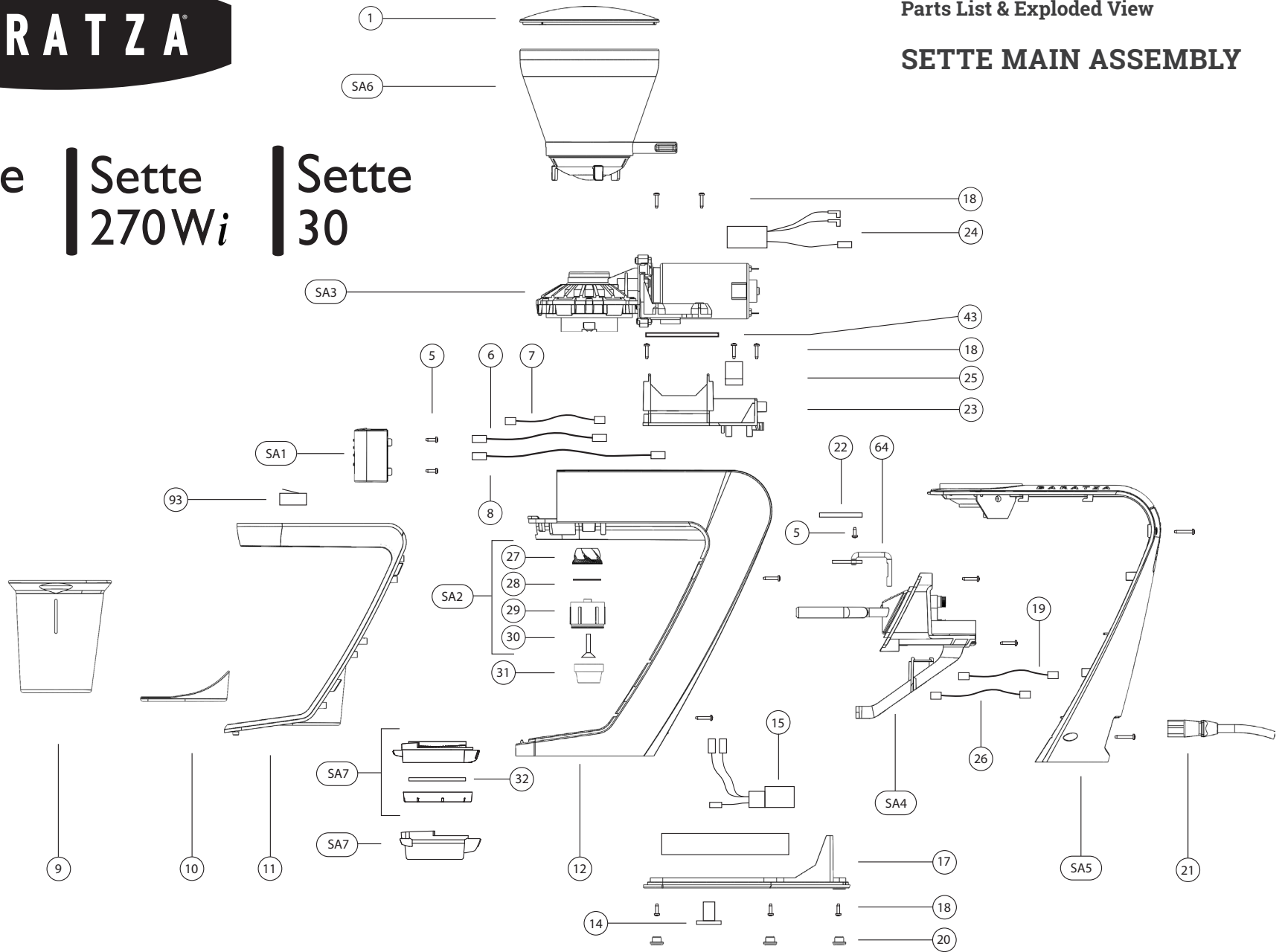
Parts List & Exploded View

SETTE MAIN ASSEMBLY

Sette
270

Sette
270Wi

Sette
30



270, 270Wi & 30 MAIN ASSEMBLY

Item #	Part #	Part Description	Total Used
1	1010*	Lid for Shut-off Hopper (Clear)	1
SA6	S012*	Sette 270/270Wi Hopper Assembly w/ Metal Shut Off Handle	1
SA6	S014	Sette 30 Hopper Assembly w/ Plastic Shut Off Handle	1
SA3	S056*	Sette Gear Box/Motor/Ring Burr Assy (110V)	1
SA3	S057*	Sette Gear Box/Motor/Ring Burr Assy (220V)	1
SA1	S075*	Display Assembly Sette 270	1
SA1	S076*	Display Assembly Sette 270W	1
SA1	S077*	Display Assembly Sette 30	
SA1	S078*	Display Assembly Sette 270Wi	1
5	S122	Screw PT TR10 KA20x8	6
6	S097	Jumper wire from display panel to power board black, red, blue	1
7	S098	Jumper wire from micro switch white black brown	1
8	S102	Ground wire from display to load cell	1
9	S160*	Sette Grounds Bin	1
10	S161*	Sette Dust Tray	1
11	S036	Front Case (Silver)	1
12	S023	Sette Chassis (International Only)	1
12	S024	Sette Chassis V0 (US/Canada Only)	1
27	S071	Sette AP Cone Burr	1
27	S072	Sette BG Cone Burr	1

28	S904*	0.3mm Cone Burr Shim (optional)	1
29	S520*	Sette Cone Burr Holder (Standard 6 Fin)	1
29	S584	Sette Cone Burr Holder (3 Fin)	1
30	S521*	Screw M8*35	1
SA2	S068*	Sette AP Cone Burr w/Burr Holder & Screw Assy (S520, S521, S071)	1
SA2	S067*	Sette AP Cone Burr w/Burr Holder & Screw Assy (S520, S521, S072)	1
31	S522*	Sette Nozzle	1
SA7	S070*	Adjustment Assembly Sette 30	1
SA7	S069*	Adjustment Assembly Sette 270 & 270Wi	1
32	S582**	Felt for Sette 270 270Wi Adjustment Ring 7mm ("Felt Noodle")	1
14	6122	Phillips Ballast Screw	2
15	S099	Power Input to Circuit Board	1
SA4	S351*	Sette 270 Convertible Device Holder	1
SA4	S085*	Sette 270Wi Convertible Device Holder & Load Cell Assy (w/Circuit Board)	1
NS	S585*	Sette 30 Arm 90° (Right & Left)	2
NS	S587	Sette 30 Arm Bracket 90° Adjust	1
17	S321	Sette Base	1
18	6121	M3x12 Motor Mounting Screw	4
19	S101	Load cell to Ballast ground wire (Short) (270Wi only)	1
20	S-FOOT**	Feet	5

270, 270Wi & 30 MAIN ASSEMBLY

Item #	Part #	Part Description	Total Used
SA5	S035*	Top/Back Case (Black) (International Only)	1
SA5	S712*	Top/Back Case (Black) (US/Canada Only)	1
21	S300*	Standard Power Cord	1
21	S301*	Euro Power Cord (Plug F)	1
21	S302*	Power Cord UK (G)	1
21	S303*	Power Cord (I)	1
21	S304*	Power Cord Japan (JET)	1
21	S305*	Power Cord (L)	1
21	S306*	Power Cord (M)	1
21	S307*	Power Cord (N)	1
21	S308*	Power Cord Korea	1
22	S060*	Sette Power Board (110V)	1
22	S061*	Sette Power Board (230V)	1
23	S091	Sette Power Board Mounting Bracket (Not For Sale)	
24	S028	Sette Cable/Capacitor Assy – Motor to PCB (110V)	1
24	S029	Sette Cable/Capacitor Assy – Motor to PCB (230V)	1
25	S589	Sette Capacitor Bracket	1
43	S529	Felt gasket 270Wi/270/30	3/1/1
26	S100*	Jumper wire Load cell PCB to Display	1
NS	S557*	Load Cell (With Acaia PCB) (Part of S085)	1
93	S032*	Micro Switch Long Foot (Not Shown)	1

64	S548	Portafilter Hook (Normal) (Stock Part)	1
NS	S063*	Fuse 110 Volt (T3.15A)	1
NS	S064*	Fuse 230 Volt (T2.0A)	1
NS	S570*	Arm Sleeve Right	1
NS	S570*	Arm Sleeve Left	1

** Frequently needed service parts

* Occasionally needed service parts

NS (Not Shown)



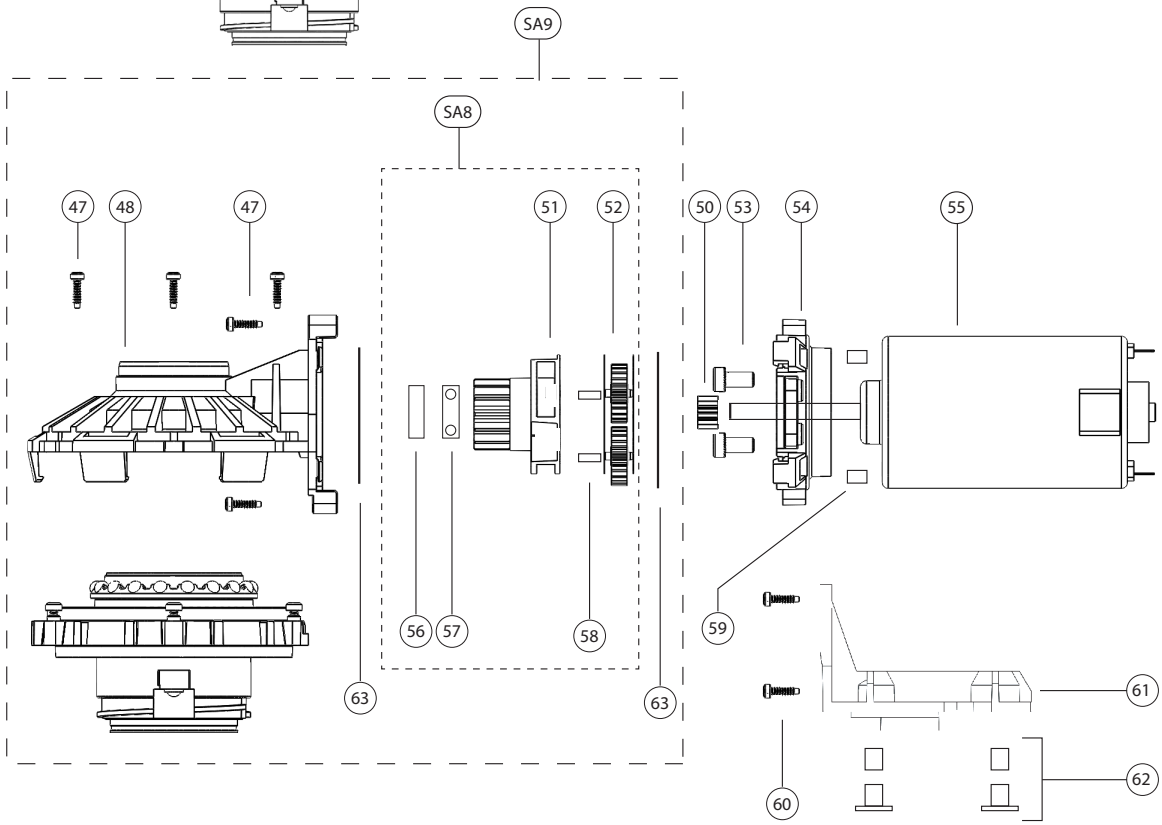
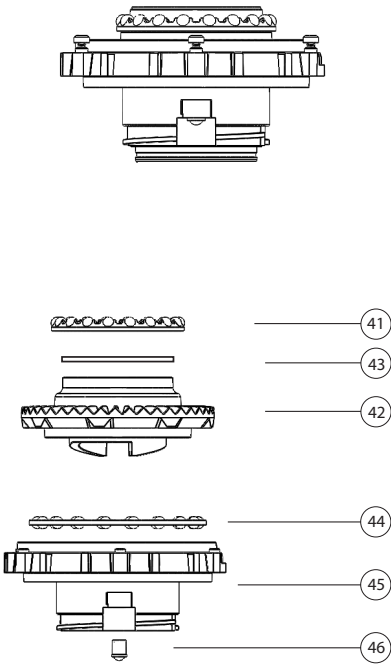
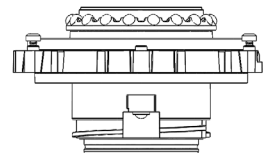
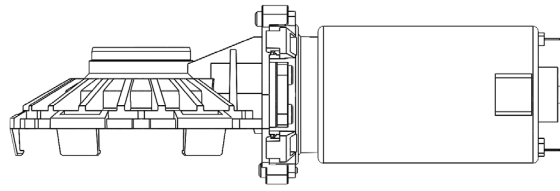
Parts List & Exploded View

MOTOR/GEARBOX ASSEMBLY (SA3)

Sette 270

Sette 270Wi

Sette 30



270, 270Wi & 30 MOTOR/GEARBOX ASSEMBLY (SA3)

Item #	Part #	Part Description	Total Used
SA3a	S056*	Sette Gear Box/Motor/Ring Burr Assy (110V)	1
SA3b	S057*	Sette Gear Box/Motor/Ring Burr Assy (220V)	1
SA9	S913	Sette Gearbox Kit (S527, S528, S529, S530, S531, S580, 1354, S713, S906, S581) (Part of S056/ S057)	1
41	S527	Top Ball Cage (With Steel Balls) ‡	1
42	S528*	Crown Gear W/Ring Burr	1
43	S529	Felt Gasket (270Wi)	3
44	S530	Bottom Ball Cage (With Steel Balls) ‡	1
45	S531	Bottom Gear Box Case ‡	1
46	S600	Sette ball detent w/shims 1.2mm (some models)	2
46	1354	Detent ball (some models)	2
47	S580	Screw for Gear Box Assy PT KA30*12	8
48	S532	Top Gear Box Case ‡	1
49		Not Used	
50	N/A	Sun Gear (Comes With Motor) ‡	1
51	S534	Planet Carrier ‡ (Part of SA8)	1
52	S535	Planet Wheel (3) ‡ (Part of SA8)	3
53	S536	T20 M5*10 (4) ‡	4
54	S537	Sette Motor Mounting Plate ‡	1

55a	S538**	Motor Dct-M-004-D (DJ 100-120V) W/ Sun Gear (Part Of S056)	1
55b	S539**	Motor Dct-M-005-D (DJ 200-240V) W/Sun Gear (Part Of S057)	1
56	S540	Bearing Spacer ‡ (Part of SA8)	1
57	S588	Planet Carrier Ball Bearing ‡ (Part of SA8)	1
58	S541	.25*9.8 M6 Pins (3) ‡ (Part of SA8)	3
SA8	S581	Planet Carrier Assembly	1
63	S713	Washer 0.25 id, 0.40 od, 0.10mm thick (Used in S056/S057)	2
59	S542	Insert Nuts (4) ‡	4
60	S543	Screw (T10 M3*10) (4) ‡	4
61	S544	Gear Box Mounting Plate ‡	1
62	6105	Grommet Sleeve Assembly	1

** Frequently needed service parts

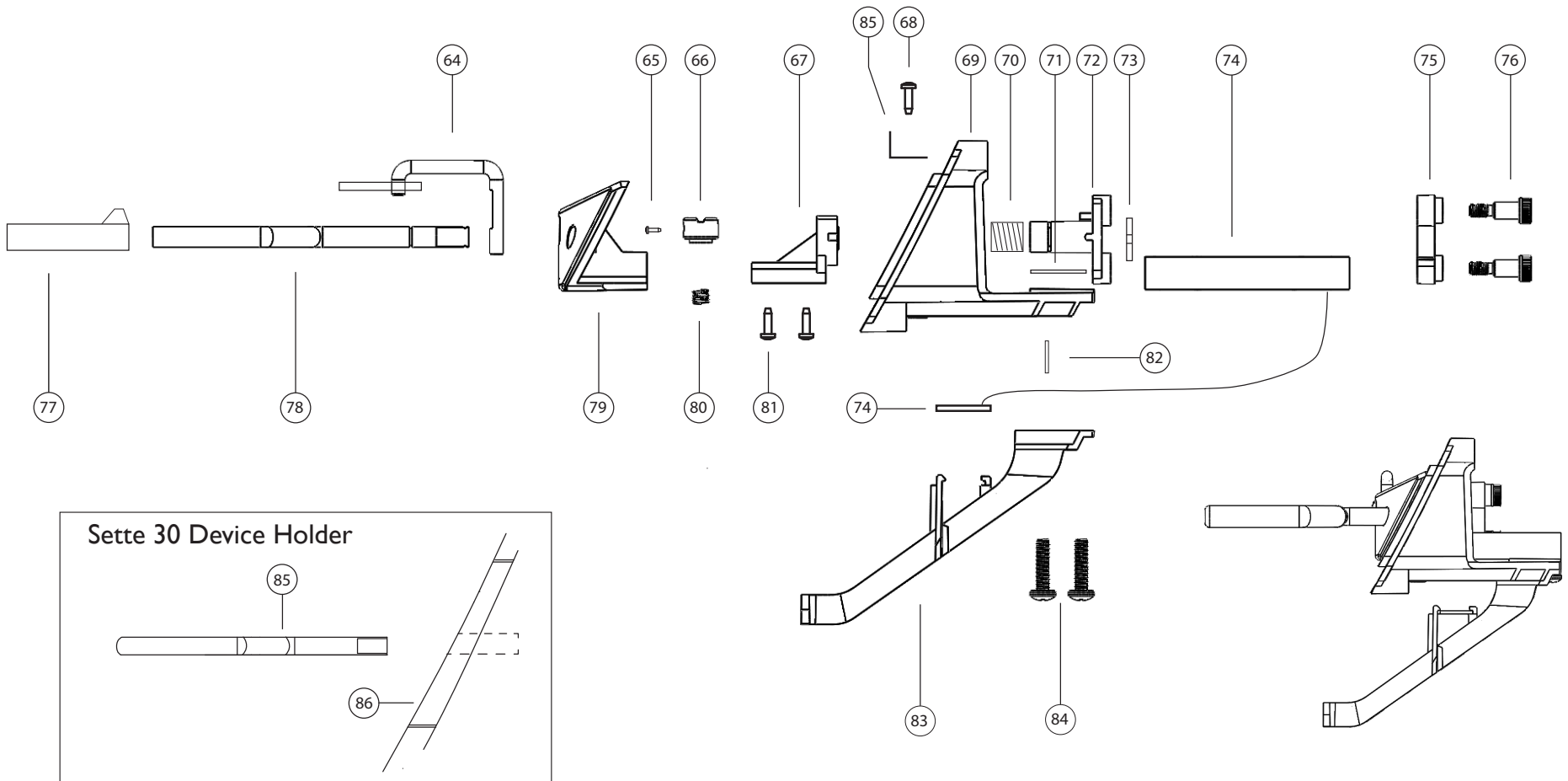
* Occasionally needed service parts

‡ Not Sold Separately



**LOAD CELL
ASSEMBLY (SA4)**

Sette
270Wi



270Wi LOAD CELL ASSEMBLY (SA4)

Item #	Part #	Part Description	Total Used
SA4	S351*	Sette 270 Convertible Device Holder	1
SA4	S085*	Sette 270Wi Convertible Device Holder & Load Cell Assy (with circuit board)	1
85	S585*	Sette 30 Arm 90° (Right and Left)	2
86	S587	Sette 30 Arm Bracket 90 degree Adjust	1
64	S548	Portafilter Hook (Normal) (Stock Part)	1
65	8296*	Hardened 2mm hex screw	1
85	S592	L Bracket for Hook Cylinder	1
66	S549*	Hook Cylinder (also requires 8296 and S574)	1
67	S550	Rotation Bracket ‡	1
68	S551	Screw T12 M4*12 ‡	1
69	S552	Perimeter mounting bracket Painted 270 ‡	1
69	S553	Perimeter mounting bracket Plated 270Wi ‡	1
70	S554	Arm Spring WC80 ‡	1
71	S577	Rectangular Load Cell Spacer	1
72	S555	Right Porta Holder Arm Index Ring ‡	1
72	S556	Left Porta Holder Arm Index Ring ‡	1
73	S590	Snap Ring ‡	1
74	S557*	Load Cell (With Acaia PCB) (Part of S085)	1
74	S558	Dummy Load Cell ‡	1
75	S559	Connecting Arm ‡	1
76	S560	4m Shoulder Bolt ‡	1

77	S570*	Arm Sleeve Left	1
77	S570*	Arm Sleeve Right	1
78	S572	Portafilter Arm ‡	2
79	S573	Portafilter Bracket 270 plastic ‡	1
79	S561	Portafilter Bracket 270Wi aluminum ‡	1
80	S574*	Hook Cylinder Spring	1
81	6121	M3x12 Motor Mounting Screw	1
82	S576	E Clip ‡	2
83	S578	Support bracket ‡	1
84	S579	T25 M5*20 ‡	1

** Frequently needed service parts

* Occasionally needed service parts

‡ Not Sold Separately